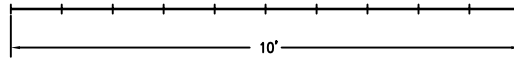
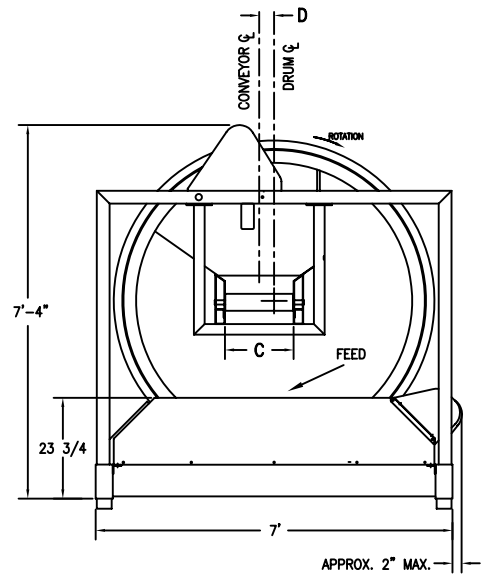
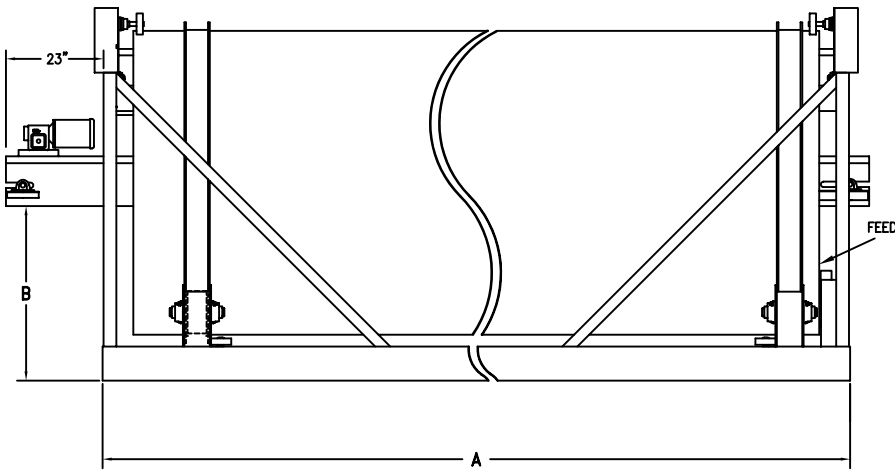


MODEL	A	B	C	D
288-16	25'-2 1/2"	3'-5"	16"	3 1/2"
218-12	19'-4 1/2"	3'-5"	16"	3 1/2"
156-8	14'-2 1/2"	3'-7"	8"	8 1/2"



STANDARD SIZE A.I.M. PINSORTERS

AMERICAN INTERNATIONAL MFG.
 1230 FORTNA AVENUE
 WOODLAND, CA 95776
 (530) 666-2446